

General Installation Tips for Cast Iron Exhaust Systems

1. Clean and sand off all old gasket residues which may be on the engine heads. When only replacing one manifold or riser, the remaining manifold or riser must also be cleaned so it is free of pitted holes or uneven surfaces.
2. Choose the correct riser gasket between the manifold and riser (consult your local mechanic should questions arise).
3. No gasket sealer is required on all HGE metallic gaskets.
4. Torque down the bolts/nuts to 30-40 Lb-ft setting.
5. Warm up the engine. After the engine has cooled down, re-torque the bolts/nuts.
6. Always check and be aware of the color of the engine oil before or after using the engine. Engine oil will have a creamy color if water is present in the oil. Visit the following link for further information:

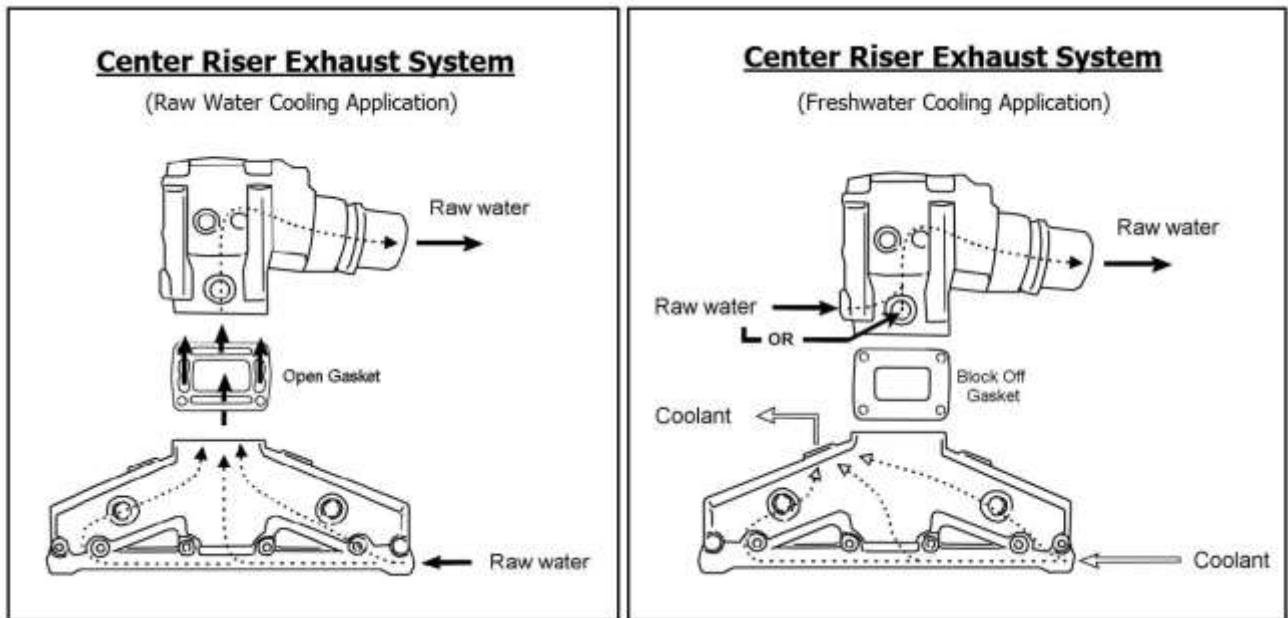
<http://www.hgemarine.com/techinfo.html>

The above tips serve a general guide only; please consult your professional technician or the OEM's specification for details.

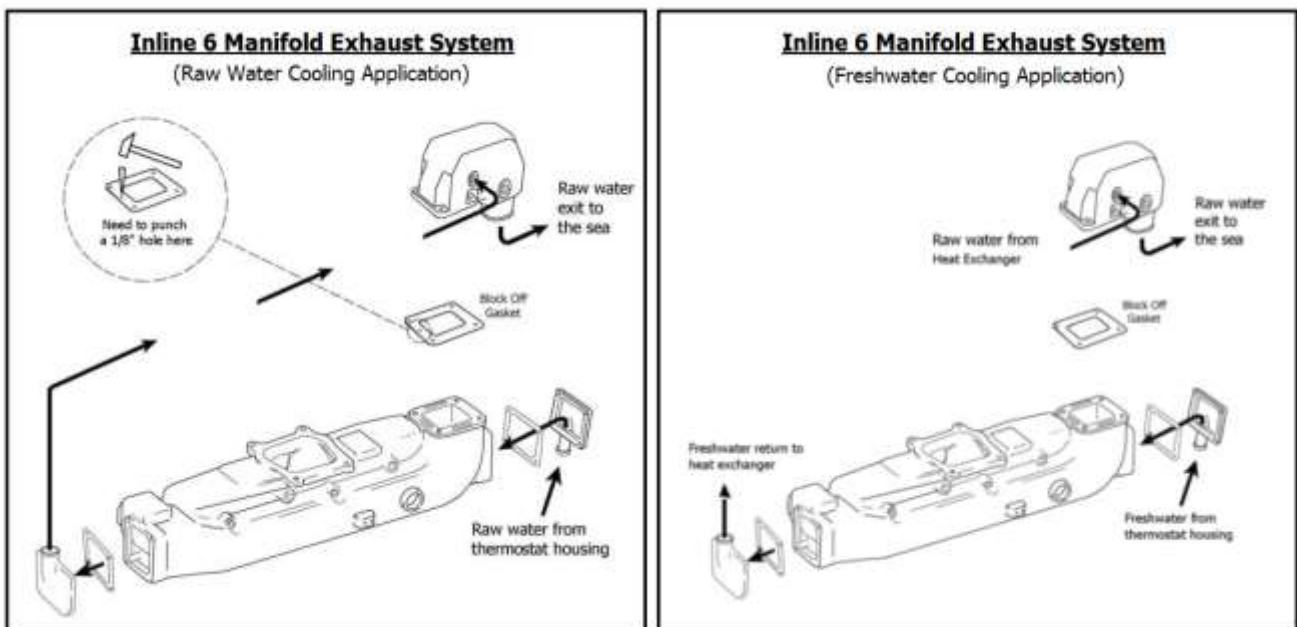
Please note three years warranty on HGE manifolds and risers will be invalidated not only if HGE products are used improperly, but also if it is installed incorrectly.

Gasket Applications

I. Center Riser / Manifold (V6 and V8) Configuration

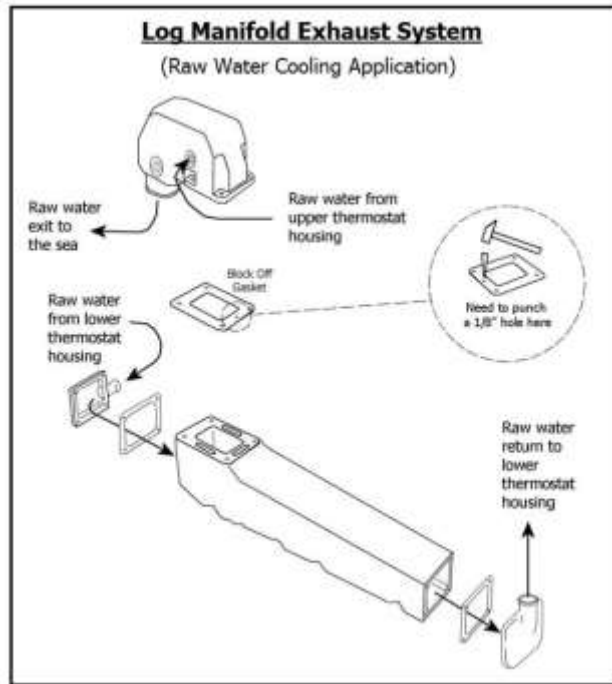


II. Inline 6 Manifold Configuration

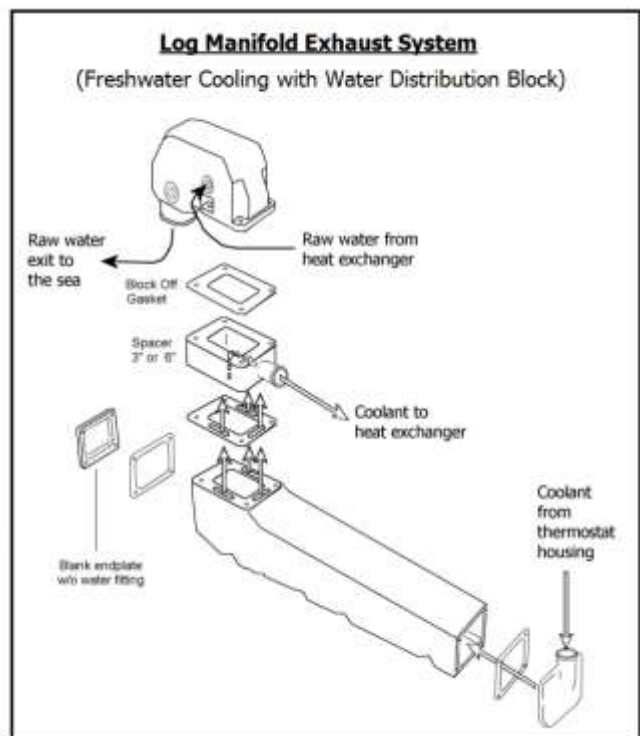
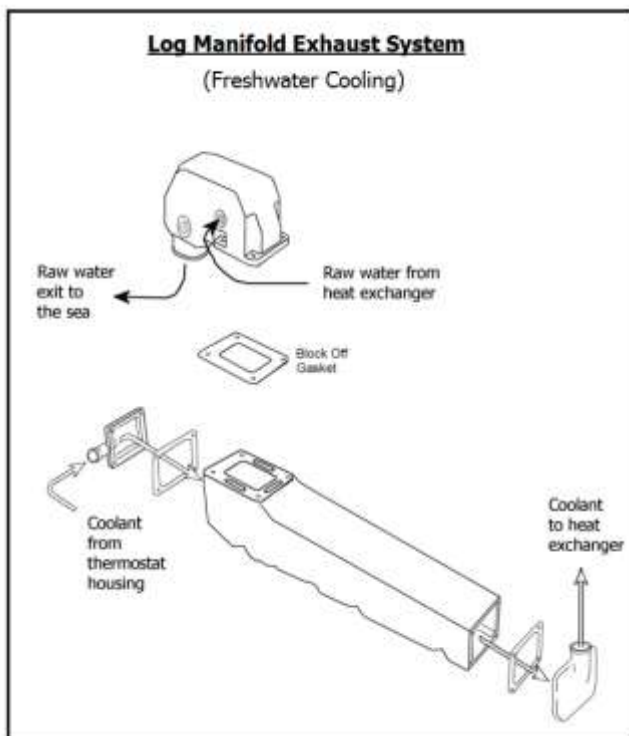


III. Log Manifold Configuration

a. Raw Water Cooling Application

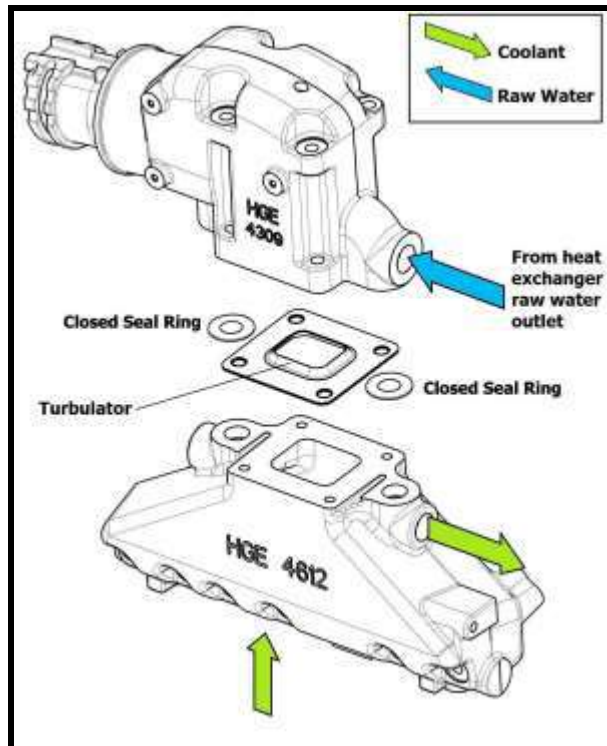


b. Freshwater Cooling Application



IV. Dry Joint Manifold (V6 and V8) Configuration

Freshwater Cooling Configuration



Raw Water Cooling Configuration

